

Solar Powered Air Samplers



7386 Trade Street
San Diego, CA 92121
Phone: 858-549-2820
Fax: 858-549-9657

info@hi-q.net
www.hi-q.net

Solar Power Challenges



Solar Powered Air Sampler Challenges

- Solar power is relatively inefficient
- Requirements to run a standard 5 Amp, 115 VAC air sampler continuously on solar power
 - Solar module approximately the size of a semi trailer
 - Solar power module cost ~\$130,000.00
- Conclusion: Solar powered air sampler must have low power requirements.

CF-4012 for Kaiser Aluminum

- Made in 2000
- 40 LPM
- 2" \varnothing Filter Paper
- 12 VDC
- 12 Hours/Day
- 365 Days/Year



CF-4012 Solar Power Details

- 240 Watt Solar Array
- 588 Amp Hours of Battery Storage
- 12 VDC



CF-5624 for U.S. Air Force

- Made in 2006
- 56 LPM (2 CFM)
- 8"x10" or 4" \varnothing Filter Paper
- 24 VDC
- 24 Hours/Day
- 365 Days/Year



CF-5624 Solar Power Details

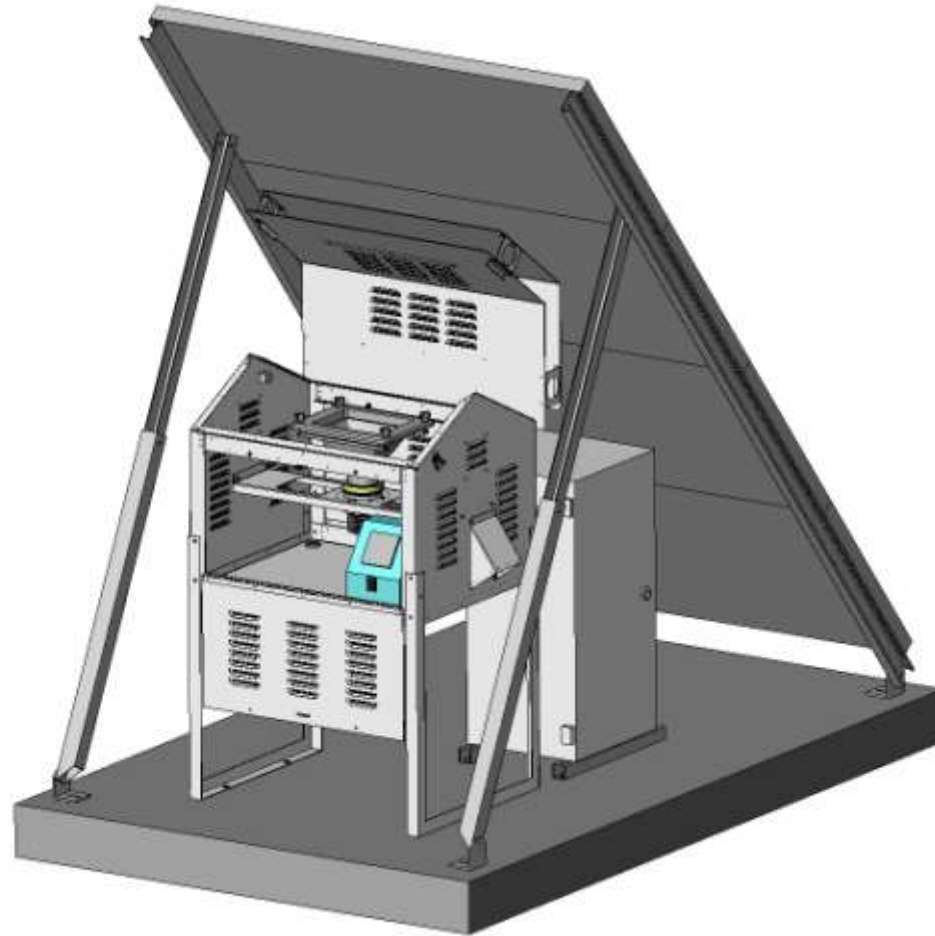
- 400 Watt Solar Array
- 240 Amp Hours of Battery Storage
- 24 VDC

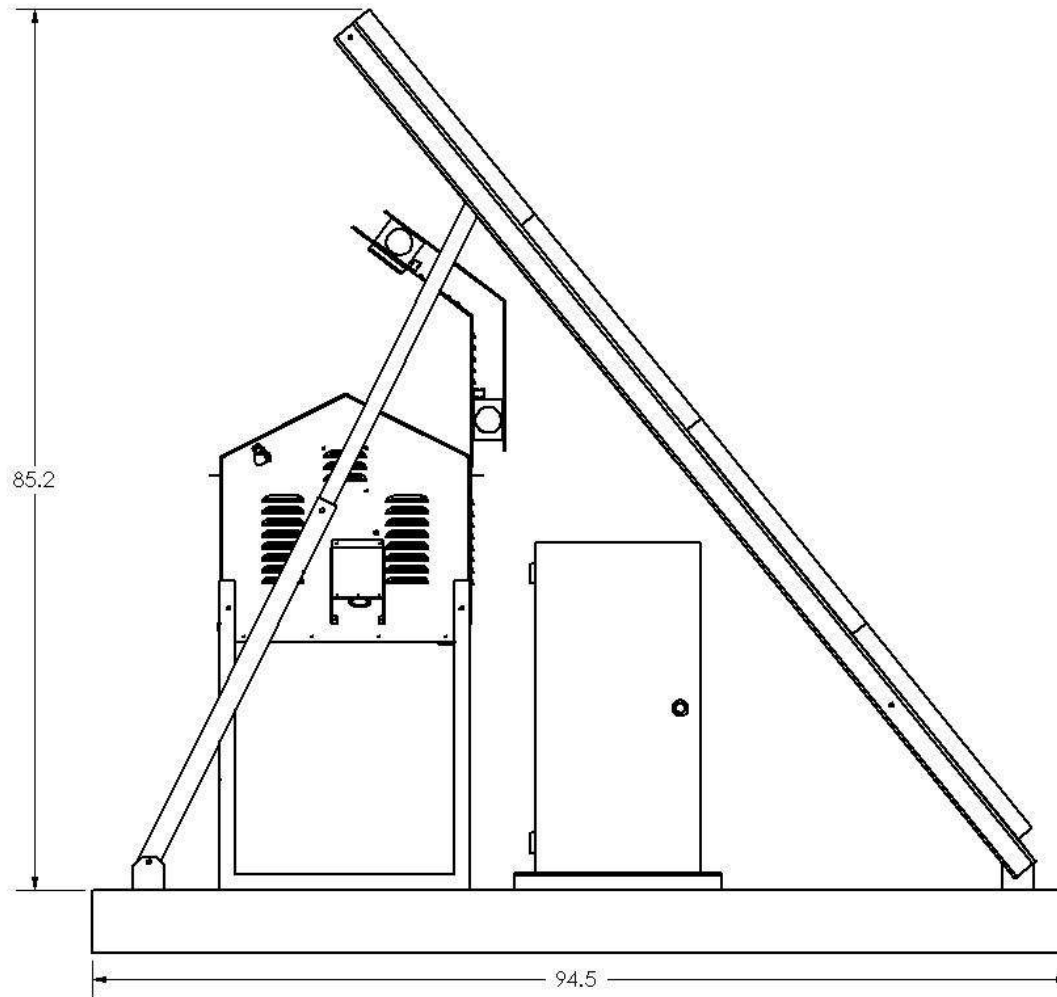


CF-5624 Installation



CF-5624 Design Model





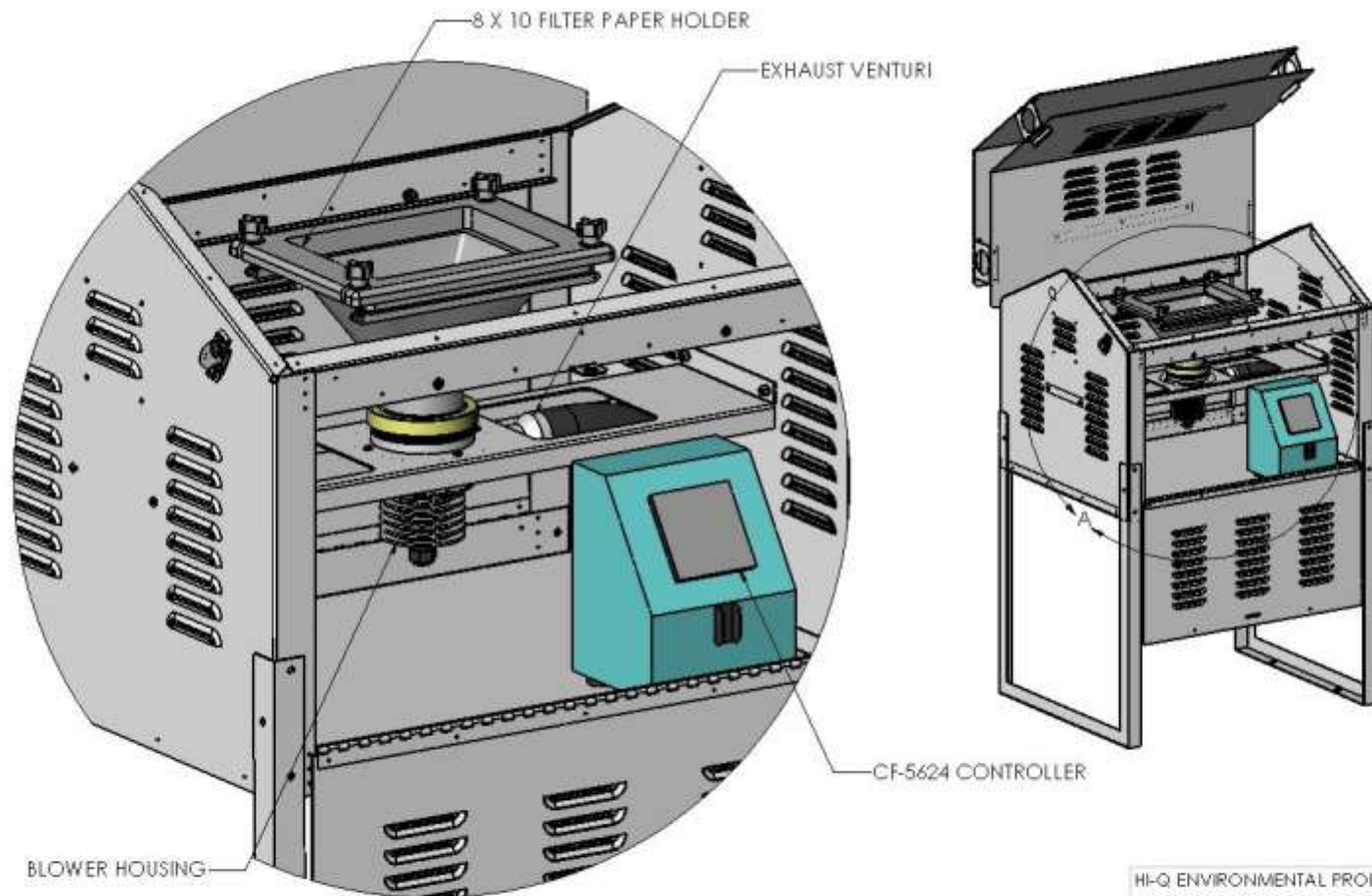
HI-Q ENVIRONMENTAL PRODUCTS CO.
 7386 TRADE STREET, SAN DIEGO, CA 92121
 TEL: 858 549-2818 FAX: 858 549-9657

CF-5624 and
 Solar Power Module
 Installation

PROPRIETARY AND CONFIDENTIAL
 THE INFORMATION CONTAINED IN THIS
 DRAWING IS THE SOLE PROPERTY OF
 HI-Q ENVIRONMENTAL PRODUCTS CO. ANY
 REPRODUCTION IN PART OR AS A WHOLE
 WITHOUT THE WRITTEN PERMISSION OF
 HI-Q ENVIRONMENTAL PRODUCTS CO. IS
 PROHIBITED.

DO NOT SCALE DRAWING
 MATERIAL: N/A
 FINISH: N/A
 DRAWN BY: S.A. OWEN DATE: 8/3/06

SIZE	DWG. NO.	REV.
	A CF-5624 SOLAR INSTALL	A
CAD FILE: Hellis CF-5624 with Solar\$LDD\$RW		S=1112 Q=5



BLOWER HOUSING

DETAIL A
SCALE 1 : 6

PROPRIETARY AND CONFIDENTIAL
 THE INFORMATION CONTAINED IN THIS DRAWING IS THE SOLE PROPERTY OF HI-Q ENVIRONMENTAL PRODUCTS CO. ANY REPRODUCTION IN PART OR AS A WHOLE WITHOUT THE WRITTEN PERMISSION OF HI-Q ENVIRONMENTAL PRODUCTS CO. IS PROHIBITED.

DO NOT SCALE DRAWING
 MATERIAL: N/A
 FINISH: N/A
 DRAWN BY: S.A. OWEN
 DATE: 8/14/06

HI-Q ENVIRONMENTAL PRODUCTS CO.
 7386 TRADE STREET, SAN DIEGO, CA 92121
 TEL: 858 549-2818 FAX: 858 549-9657

CF-5624 and
 Solar Power Module
 Installation

REV	DATE	BY
A	8/14/06	A

SEE DWG. NO. A CF-5624 SOLAR INSTALL
 CAD FILE: 8684-CF-5624 with SolarInstall.dwg